

# User Guide

## Dual Color LED Strip Controller

### Summary

- Mini-style RF controller with 2 channel constant voltage output.
- Dual color(WW/CW) controller, need match dual color RF remote.
- Smooth dimming and switch without any flickering.
- Full compatibility with a variety of dual color RF remote.
- Adopt 2.4GHz wireless technology, remote distance up to 30m, one receiver can accept up to 10 remote control.
- Auto-transmitting function, one receiver can transmit the signal from the remote to another receiver within 15m, so the remote control distance can be beyond 100m.
- Can be WiFi controlled by APP installed on IOS or Android mobile devices while working with WiFi-Relay controller.
- Work with power repeater to expand output unlimitedly.

### Technical parameter

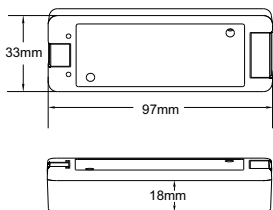
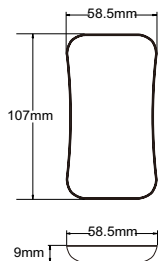
#### LED Remote

- Output signal: RF(2.4GHz)
- Working voltage : 3VDC(CR2032)
- Standby time: 12 months
- Remote distance: 30m
- Size: L107×W58.5×H9mm

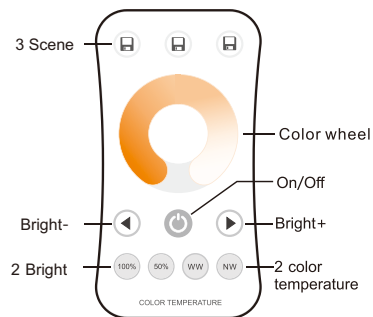
#### LED Receiver

- Input voltage: 12-24VDC
- Output power: 12V, Max 120W  
24V, Max 240W
- Output current: 2CH, 5A/CH
- Size: L97×W33×H18mm

### Dimension



### Remote function



**On/Off:** Turn on/off light.

**Color wheel:** Touch to change color temperature.

**Bright+/-:** Adjust brightness, short press 10 levels, long press 1-5s continuous 256 levels adjustment.

**100%,50%:** Get 100% or 50% brightness directly.

**WW:** Get warm white directly.

**NW:** Get cold white directly.

**3 Scene:** Short press run the scene, long press 2s save.

### Match guide

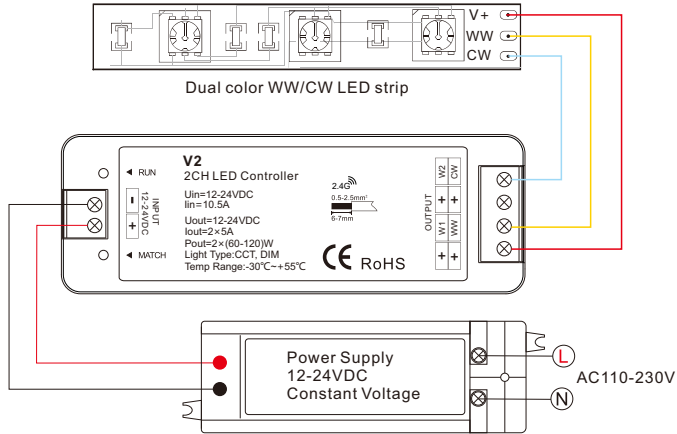
#### Use Match key

1. Match: Short press match key of the receiver, within 5s, press on/off key of the remote.
2. Delete: Long press match key of the receiver for 5s, delete all matched remote.

#### Use Power-up

1. Match: Switch off the power, then switch on power again, short press on/off key 3 times on the remote quickly within 5s after power on, the link is done once the light blinks 3 times.
2. Delete: Switch off the power, then switch on power again, short press on/off key 5 times on the remote quickly within 5s after power on, the unlink is done once the light blinks 5 times.

## Wiring diagram



### LED power supply voltage select:

- 12V lamp, Input 12V power supply, each channel can load 0~60W,
  - 24V lamp, Input 24V power supply, each channel can load 0~120W,
- The power supply power must larger than load power 20%.

## Safety information

1. The product shall be installed and serviced by a qualified person.
2. This product is non-waterproof. Please avoid the sun and rain.
3. Good heat dissipation will prolong the working life of the controller. Please ensure good ventilation.
4. Please check if the output voltage of any power supplies used comply with the working voltage of the product.
5. Ensure all wire connections and polarities are correct and secure before applying power to avoid any damages to the LED lights.
6. If a fault occurs please return the product to your supplier. Do not attempt to fix this product by yourself.

## Malfunctions analysis & troubleshooting

Malfunctions	Causes	Troubleshooting
No light	<ol style="list-style-type: none"> <li>1. No power.</li> <li>2. Wrong connection or insecure.</li> </ol>	<ol style="list-style-type: none"> <li>1. Check the power.</li> <li>2. Check the connection.</li> </ol>
Wrong color	<ol style="list-style-type: none"> <li>1. Wrong connection of WW/CW wires.</li> </ol>	<ol style="list-style-type: none"> <li>1. Reconnect WW/CW wires.</li> </ol>
No response from the remote	<ol style="list-style-type: none"> <li>1. The battery has no power.</li> <li>2. Beyond controllable distance.</li> <li>3. The controller did not match the remote.</li> </ol>	<ol style="list-style-type: none"> <li>1. Replace battery.</li> <li>2. Reduce remote distance.</li> <li>3. Re-match the remote.</li> </ol>